



22901 Aurora Road
 PO Box 46730
 Bedford Heights, OH 44146
 www.electrichheat.com

ARCHITECT’S AND ENGINEER’S SPECIFICATIONS

Furnish and install where indicated on the Drawings, “High Efficiency Ceramic Infrared Panel” heaters manufactured by Radiant Electric Heat. Bedford Heights, Ohio.

CONSTRUCTION

Heating Elements: Element with tungsten filament and halogen gas-filled quartz tube.

Heater Body: Powder coated aluminum casting, polished aluminum parabolic reflector, heater body safety grill or heat resistant black glass filter as standard with the unit specified. Provided with manufacturer’s standard 6 foot leads.

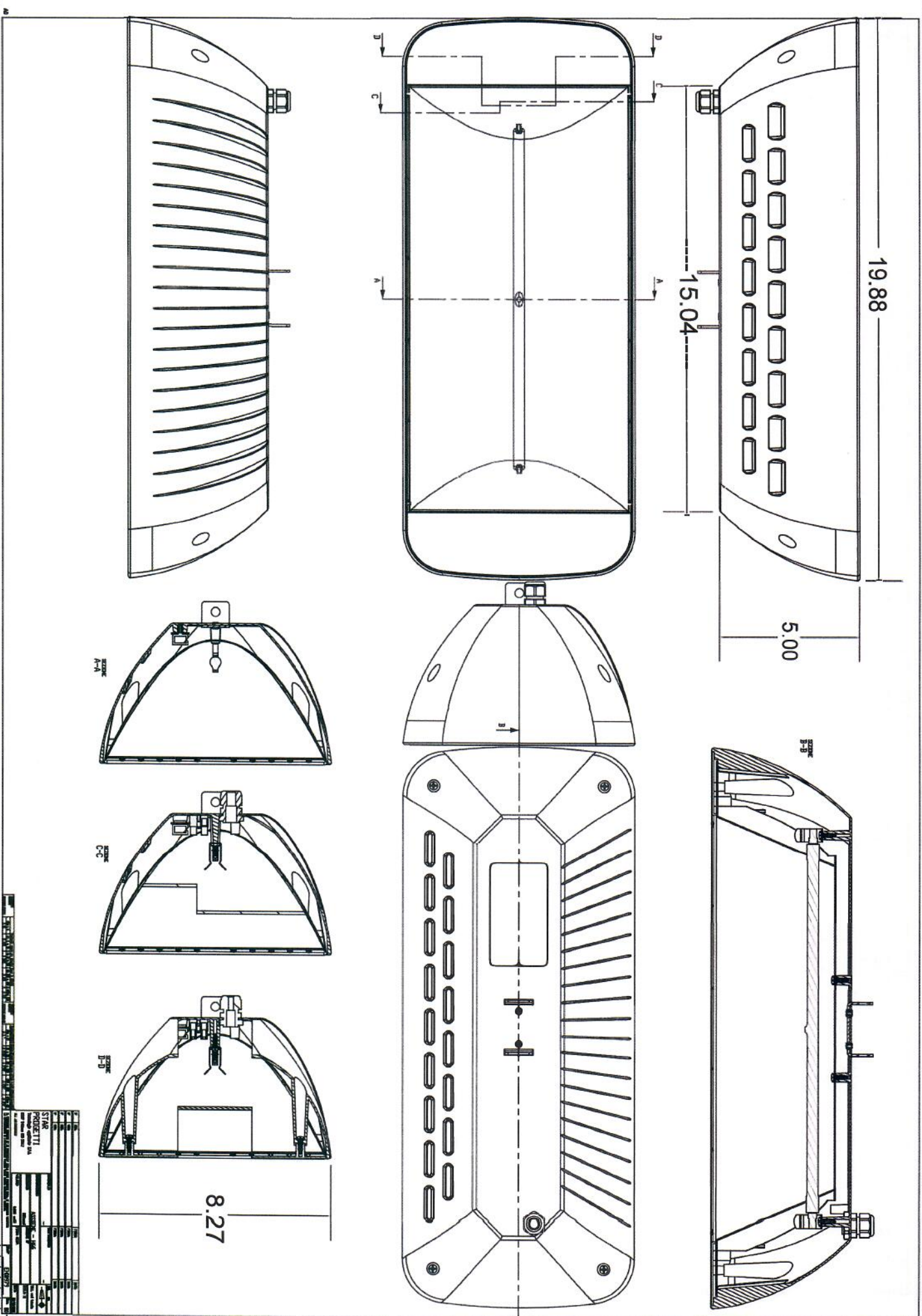
Accessories: Provide as indicated: thermostat, relays, mounting brackets, heater stand.

Installation: Install heating units where indicated, in accordance with manufacturer’s written instructions, applicable requirements of IEC, in compliance with recognized industry practices to ensure products fulfill requirements.

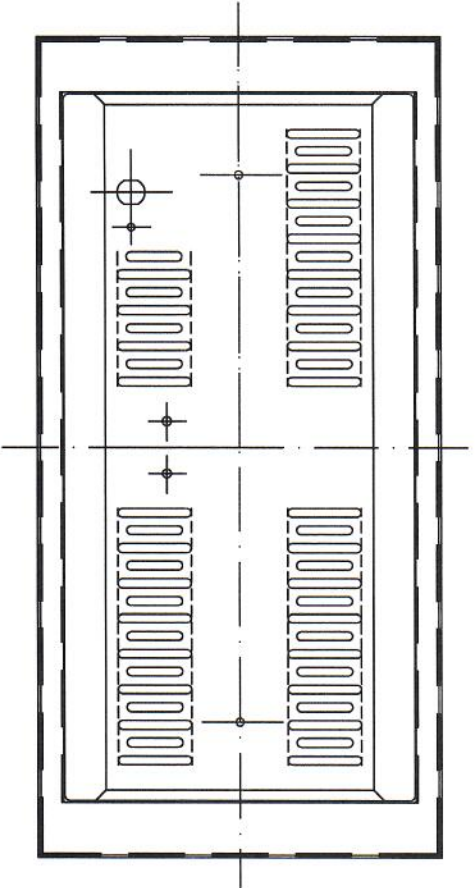
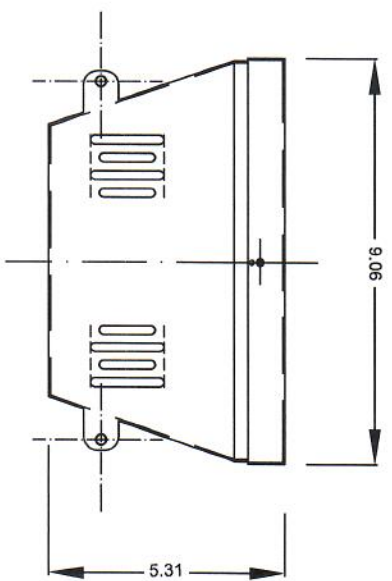
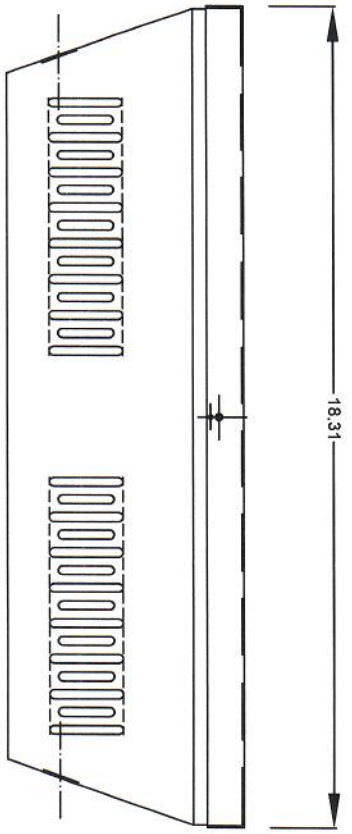
ACCESSORIES & CONTROLS

MODEL	INSTALLATION	WATTS	VOLTS/AMPS	SHIPPING WEIGHT
HELIOSA 66	WALL - CEILING	1500 2000	120 VAC / 12.5 A 208 VAC / 7.2 A 240 VAC / 8.4 A	4 lbs 10 oz
HELIOSA 66 BLACK	WALL - CEILING	1500 2000	120 VAC / 12.5 A 208 VAC / 7.2 A 240 VAC / 8.4 A	6 lbs 3 oz
TITAN CS	WALL - CEILING	1500 2000	120 VAC / 12.5 A 208 VAC / 7.2 A 240 VAC / 8.4 A	8 lbs 6 oz

*RADIANT ELECTRIC HEAT RESERVES THE RIGHT TO CHANGE SPECIFICATIONS WITHOUT PRIOR NOTICE.



SCALE	PROF. GIO. BRONCHI
DATE	1987
PROJECT	STAR
DRAWING NO.	PROGETTI
CLIENT	ARON - 144
LOCATION	...
...	...



N° MOD.	FIRMA	DATA
N° MOD.	FIRMA	DATA
N° MOD.	FIRMA	DATA
N° MOD.	FIRMA	DATA

VARMA TEC S.p.A.

Via Pasado 4/E
20067 Tribonno QND ITALY
Tel. 02/90639261

MATERIALE:	TITANIUM 1
DENOMINAZIONE:	
DISSEGNIATO:	Pezzini A.
VALLINE:	Ioili V.
ASSISTENTE N°:	
FIRMA RESP.:	
TOLL. ved. tabella	SCAL.A1
UM. mm	
DATA:	

L. PRESENTE ASSUNDE E' IL PROPRIETAR' DELLA VARMA TEC S.P.A. E' PERMANTO VERVA LA RIPRODUZIONE E L'UTILIZZAZIONE PRESSO TERZI SENZA BENEFICARE SCRITTO.

DisAⁿ EHO1394 Rev. 00