

# SIGNATURE Series



## INSTALLATION GUIDE

---

Thank you and congratulations on your purchase of your Heat Storm™ Signature Series Radiant Glass Heater.

This heater has been designed with care for you.

# Contents

---

<b>I. Safety Instructions .....</b>	<b>3</b>
<b>II. Heater Installation .....</b>	<b>6</b>
<b>Wall Mounting Instructions.....</b>	<b>7</b>
<b>Operation Instructions .....</b>	<b>11</b>
<b>Connecting Smart Phone to Heater (Wi-Fi) .....</b>	<b>12</b>
<b>III. Technical Specifications .....</b>	<b>14</b>
<b>IV. Limited Warranty .....</b>	<b>16</b>

# I. Safety Instructions

---

**PLEASE READ THIS MANUAL BEFORE OPERATING.**

**WARNING:**

**IF THE INFORMATION IN THIS MANUAL IS NOT FOLLOWED, AN ELECTRIC SHOCK OR FIRE MAY RESULT CAUSING PROPERTY DAMAGE, PERSONAL INJURY OR LOSS OF LIFE.**

**DO NOT STORE OR USE GASOLINE OR OTHER FLAMMABLE VAPORS AND LIQUIDS IN THE VICINITY OF THIS OR ANY OTHER APPLIANCE.**

- Use extreme caution when operating heater near children.
- Use extreme caution when leaving the heater unattended.
- Do not operate if the heater malfunctions. Disconnect power and have heater inspected by an electrician before re-using.
- Do not use outdoors unless proper coverings and precautions are used. Do not mount in location that could get wet. (ie: in a covered patio).
- Switch heater switch to "OFF" position before unplugging cord from wall.
- Do not use heaters in area where gas, paint, flammable vapors or liquids are used or stored.
- Any other use not recommended by the manufacturer may cause fire, electric shock, or injury to persons.

**TO REDUCE THE RISK OF FIRE, DO NOT STORE OR USE GASOLINE OR OTHER FLAMMABLE VAPORS AND LIQUIDS IN THE VICINITY OF THE HEATER**

-The installation must be protected by a 25 or 30 mA differential circuit-breaker (NFC15-100 electrical safety standard). The power supply outage must be of omnipolar type (phase and neutral cut-off).

-The SIGNATURE heater must be connected to the power supply (120V AC 60Hz) by an electrical circuit protected by an overcurrent circuit breaker 10A placed in an electrical distribution board.

If the power cable is damaged, it must be replaced by a qualified electrician (cable type SJOOW 14/2).

-The system complies with current standards (see technical data).

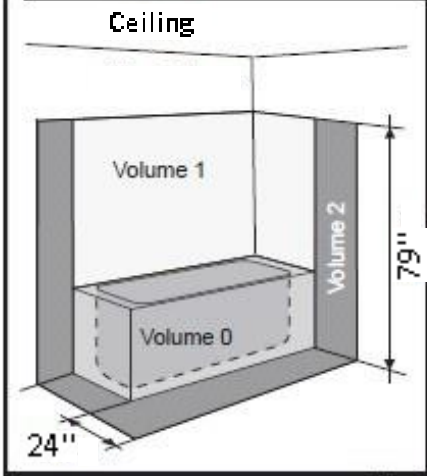
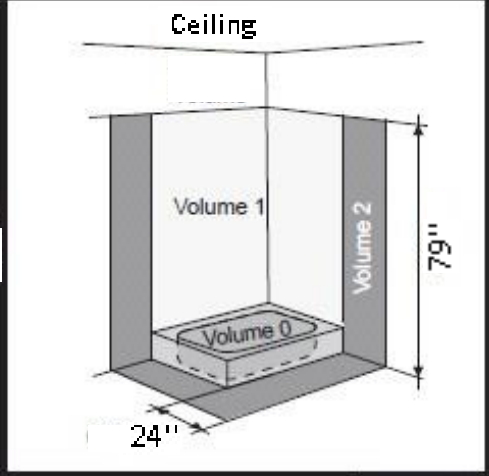
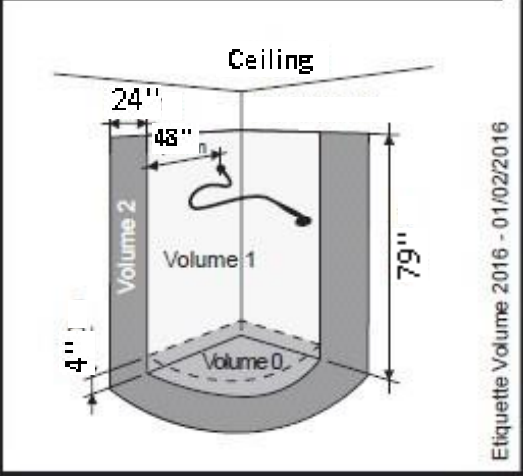
The SIGNATURE heater is suitable for indoor use and can be suitable for outside use if all precautions are taken to prevent the heater from getting wet.

Your SIGNATURE Series glass heater is IP 44 rated. This means that for a bathroom installation, your heater can be located in the following area: Volume 2. protection index IP44: zones 2 and more

Bath (Volume 0)

Shower with receiver (Volume 0)

Shower without receiver (Volume 0)

Volumes Baignoire	Volumes Douche avec receveur	Volumes Douche sans receveur
		
	<b>Volume 1</b>	<b>Volume 2</b>
IP PROTECTION	IP X4 minimum	IP X4 minimum
ACCESSORIES	No Plug	Plug supplied by safety transformer Plug protected by 30mA RCD
MATERIAL	Low voltage (12 to 30V)	Class II and RCD 30mA or Low voltage Plug protected by 30mA RCD

Etiquette Volume 2016 - 01/02/2016

The heater should not be placed directly below a power outlet.  
 Test the control unit before installation and ensure that no hot spots develop.

Only use the SIGNATURE Series heater for the recommended applications and with the SIGNATURE Series accessories offered (towel bars).

Do not attempt to disassemble the unit as this will void the warranty.

This device is not intended for use by persons (including children) with reduced physical, sensory or mental capacities, unless they have been helped by a person responsible for their safety. The SIGNATURE Series heater is a certified device for its performance and safety.

## **PRECAUTIONS FOR USE**

The SIGNATURE Series is made of glass, handle it with care.

The SIGNATURE Series heater must not be used if the glass panels are damaged or the radiator has impact marks.

The SIGNATURE Series is a radiant heater: do not install any obstacle within 20in of its emitting surface.

The SIGNATURE Series provides directional heat, and needs to be installed where you would like supplemental heat.

Do not cover the control unit or glass face to ensure radiation efficiency, and avoid accidental overheating.

Turn off the SIGNATURE Series heater and wait for it to cool down prior to cleaning with a soft, damp cloth.

The radiant surface can reach 80°C (176°F). Respect a minimum distance of 8" between the SIGNATURE Series heater surface and any object.

The SIGNATURE Series is hot when in use. Do not touch.

# II. Installation

The SIGNATURE Series heater is composed of:

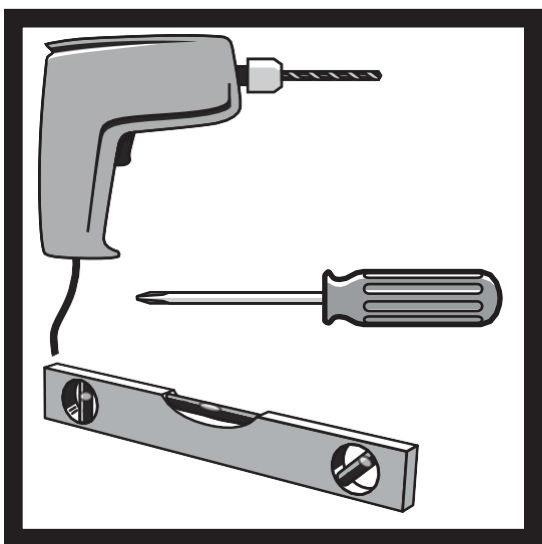
- A tempered glass decorative surface,
- An aluminum heating film (patented),
- A mounting system for vertical or horizontal position
- Towel bars can be added before fixing to the wall.

This will turn your SIGNATURE Series heater into a towel dryer, ideal for your bathroom.

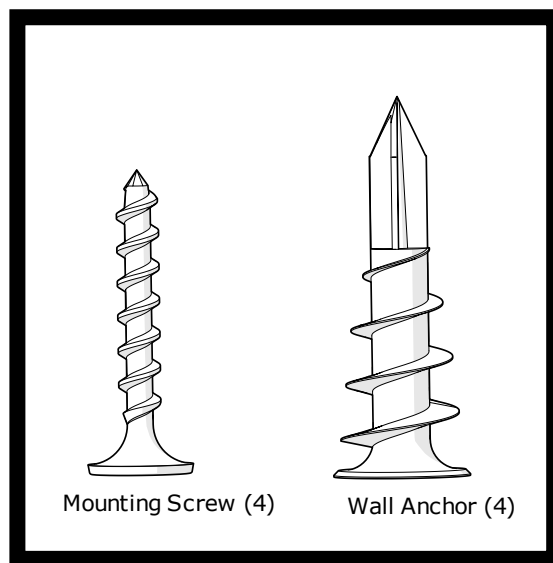
(Accessories sold separately)



## Suggested Tools for Assembly

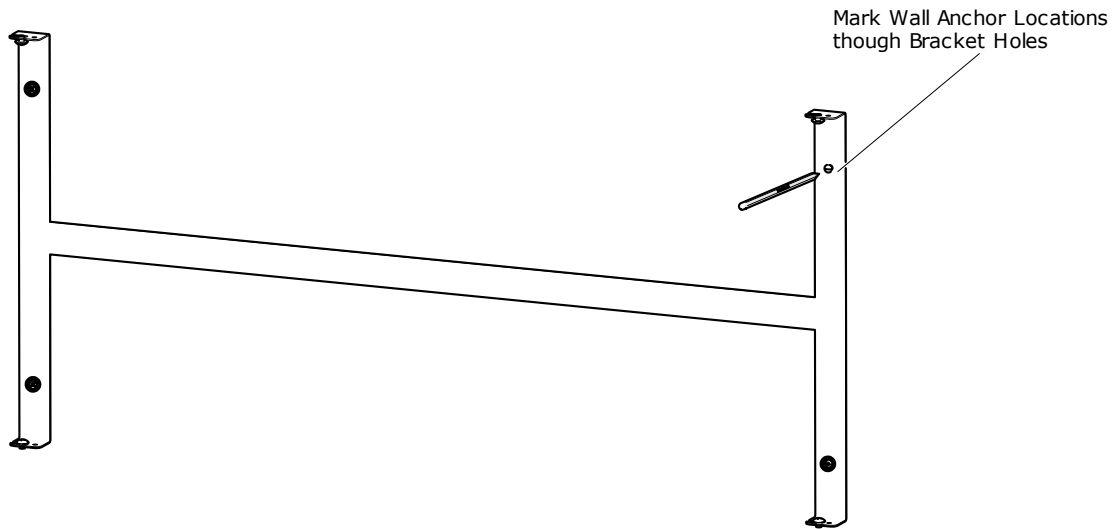


## Included Hardware



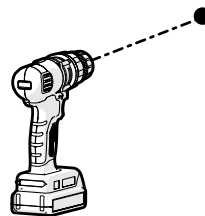
**BEFORE MOUNTING** – Determine desired heater location on wall. Allow 3” space between heater edges and other obstacles. Use level to ensure heater will be level when installed.

# STEP 1



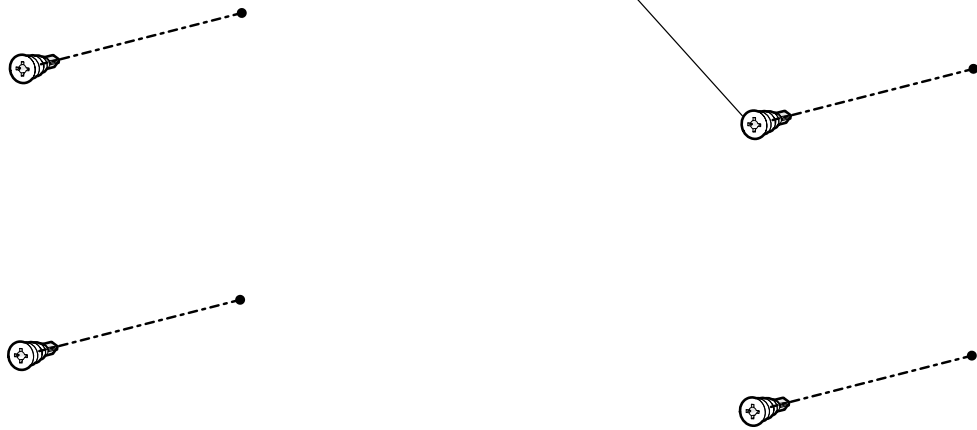
# STEP 2

Drill Small Holes for Wall Anchors



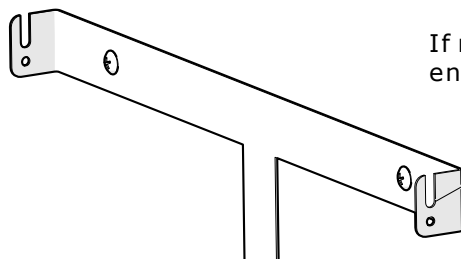
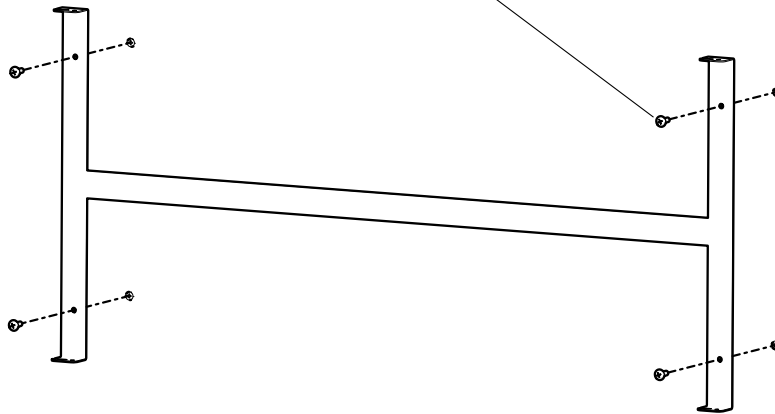
### STEP 3

Screw in Wall Anchors



### STEP 4

Assemble Mounting Screws into Wall Anchors

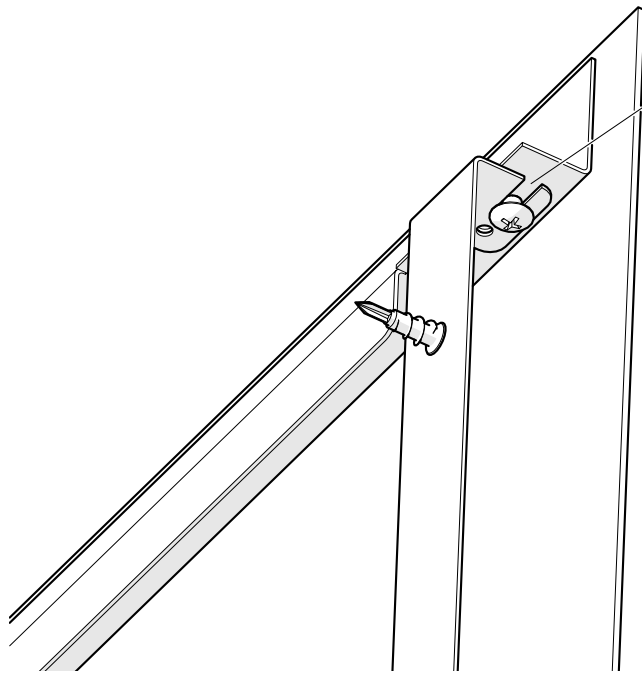
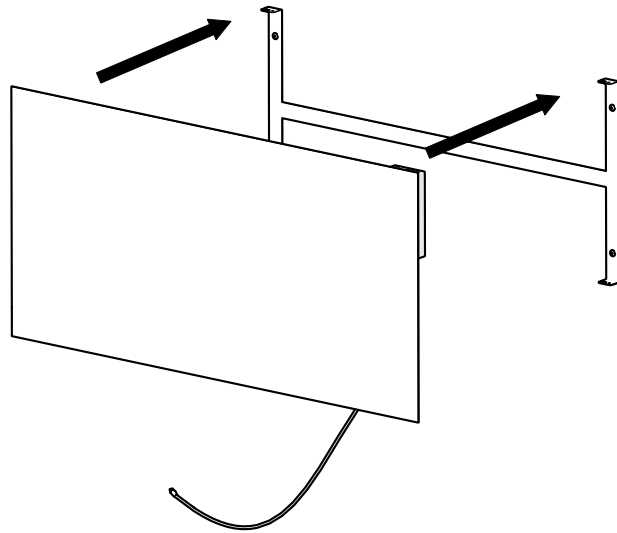


If mounting heater vertically, ensure bracket slots are upright



# STEP 5

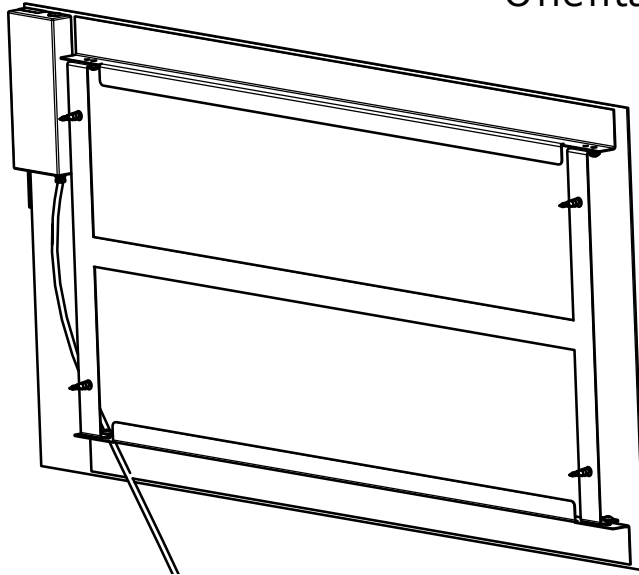
Slide Heater onto Wall Bracket



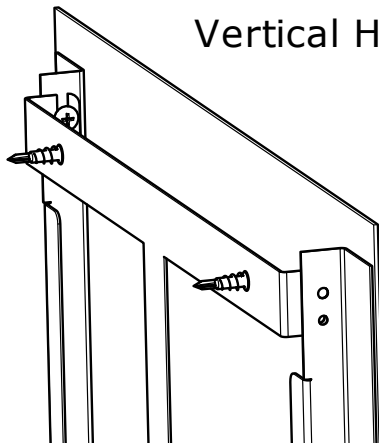
Align Cutouts on Wall Bracket with Stud Bolts

**STEP 6**

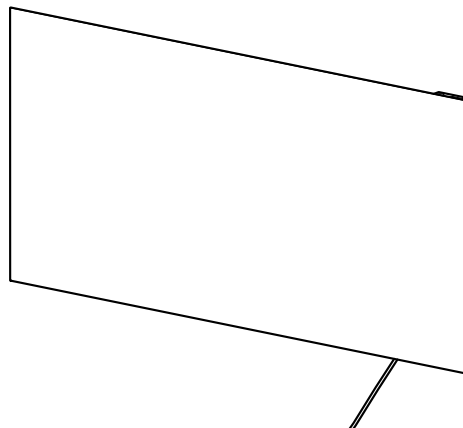
**Horizontal Heater Orientation**



**Vertical Heater Orientation**



**ENJOY!**



## OPERATING INSTRUCTIONS

- **Electrical connection**

A 15 AMP, 120 Volt, 60 Hz circuit with a properly grounded outlet is required.

Ideally, the heater will be on a dedicated circuit as other appliances on the same circuit may cause the circuit breaker to trip or the fuse to blow when the heater is in operation.

**CAUTION:** Do not exceed the current rating of the outlet. Always plug heaters directly into a wall outlet/receptacle.



Clean the SIGNATURE Series glass heater with a soft, damp cloth before heating.

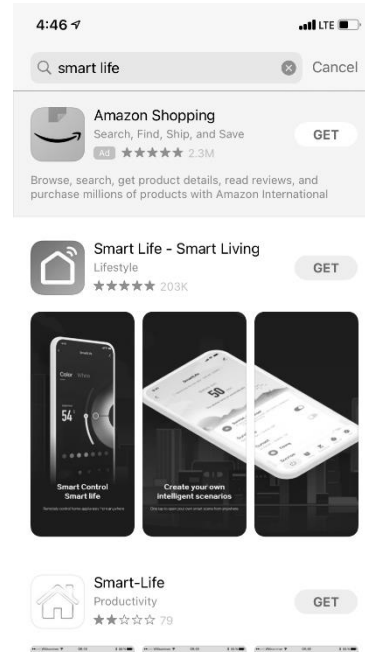


Switch on using the switch located on the side of the control unit.

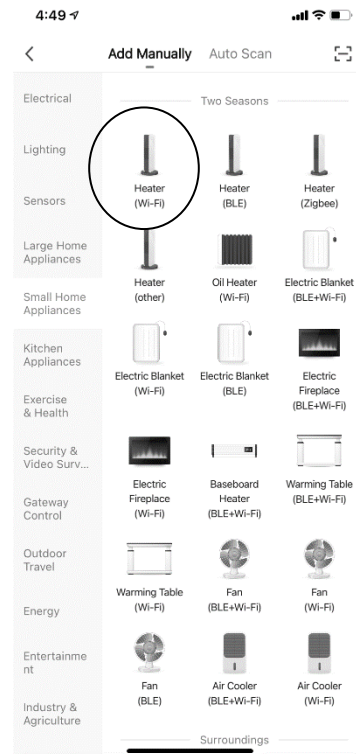
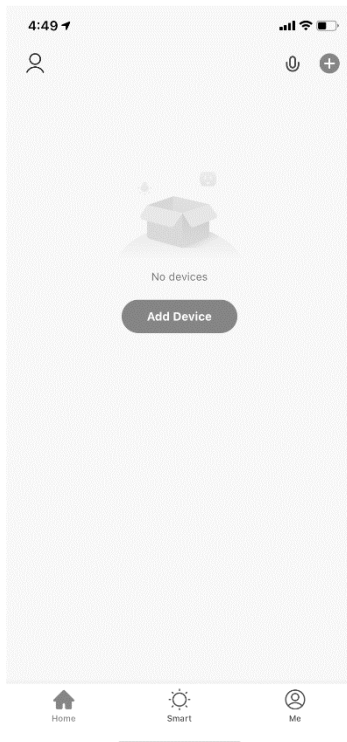


# CONNECTING SMART PHONE TO SIGNATURE SERIES HEATER (Wi-Fi)

Download the *Smart Life – Smart Living* App



Add device, select Heater (Wi-Fi), and connect on smart phone.



When connected, the control unit will show an illuminated Wi-Fi symbol and heat symbol. The heat light will be blue (turned off)



When the heater is turned on (on the app), the heat symbol will change color to red.



Adjust settings on the Smart Life App.  
Enjoy!

If you have issues connecting the device to the heater:

1) Disconnect smart device from WIFI

2) Re-connect to WIFI and re-try connecting on the Smart Life App

(sometimes re-connecting to your network will allow the device to pair)

For assistance call 435-752-6611, or email us at [cs@heatstorm.com](mailto:cs@heatstorm.com)

# III. Technical Specifications

**Voltage:** ~120V/AC (60Hz)

**Maximal Intensity per radiator:** 5A

**Protection Class:** II

**Protection Index:** IP44

**Indicated power per room:** 54W/10 sq ft

**Conformity:** UL499 & UL2021

## SIGNATURE SERIES GLASS HEATERS RANGE:

Power	Width	Length	Weight	Square footage estimate
500W	16"	48"	23,3lb	110 sq ft
750W	16"	72"	39,7lb	160 sq ft
750W	24"	48"	34,4lb	160 sq ft
1100W	24"	72"	50,7lb	215 sq ft

**Please read and be sure your electrical installation can support the heater**

SIGNATURE Series 16" x 48" :			
THERMAL POWER			
Nominal Thermal Power	P nom	500	W
Minimal Thermal Power (indicative)	P min	450	W
Maximal Thermal Power (constant)	P max	525	W
AUXILIARY ELECTRICAL CONSUMPTION			
At nominal thermal power	C el	500	W/h
At minimal thermal power	C el min	450	W/h
Power off	C el veil	0.5	W/h

SIGNATURE Series 16" x 72" :			
THERMAL POWER			
Nominal Thermal Power	P nom	750	W
Minimal Thermal Power (indicative)	P min	675	W

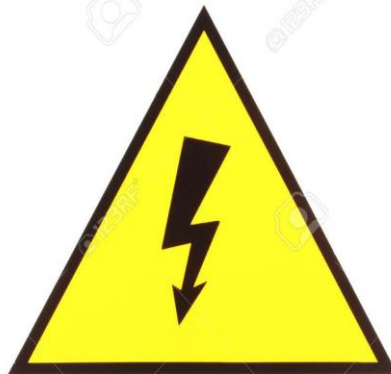
Maximal Thermal Power (constant)	P max	787.5	W
AUXILIARY ELECTRICAL CONSUMPTION			
At nominal thermal power	C el	750	W/h
At minimal thermal power	C el min	675	W/h
Power off	C el veil	0.5	W/h

SIGNATURE Series 24" x 48" :			
THERMAL POWER			
Nominal Thermal Power	P nom	750	W
Minimal Thermal Power ( indicative)	P min	675	W
Maximal Thermal Power (constant)	P max	787.5	W
AUXILIARY ELECTRICAL CONSUMPTION			
At nominal thermal power	C el	750	W/h
At minimal thermal power	C el min	675	W/h
Power off	C el veil	0.5	W/h

SIGNATURE Series 24" x 48" :			
THERMAL POWER			
Nominal Thermal Power	P nom	1200	W
Minimal Thermal Power ( indicative)	P min	1080	W
Maximal Thermal Power (constant)	P max	1260	W
AUXILIARY ELECTRICAL CONSUMPTION			
At nominal thermal power	C el	1200	W/h
At minimal thermal power	C el min	1080	W/h
Power off	C el veil	0.5	W/h

**WARNING:**

If your heater is damaged, do not attempt to repair it yourself.  
 Contact EnergyWise Solutions for assistance at 435-752-6611, or  
[cs@heatstorm.com](mailto:cs@heatstorm.com)



# V. Limited Warranty

- 1-year limited warranty.
- The warranty period starts from the date of purchase on the invoice or receipt.
- This warranty applies in addition to all standard laws.

## LIMITED WARRANTY CONDITIONS

Any request for warranty is subject to compliance with the following terms and conditions:

- Warranty is valid only for domestic use in a dry location.
- Warranty covers manufacturing defects.

Warranty does not extend to:

- damage resulting from abuse, misuse, accidents or natural disasters, damages resulting from other unusual circumstances in connection with residential applications.
- Damage resulting from improper maintenance and cleaning, overload, or due to moisture.
- Incorrect Installation.
- Damage caused by third parties. (transport or assembly)
- EnergyWise Solutions reserves the right to inspect damage on site in order to verify the conformity of the warranty terms and conditions.
- If a defect covered by this warranty is found, the manufacturer will repair or replace the product. Customers are responsible for shipping on warranty returns after 30days.