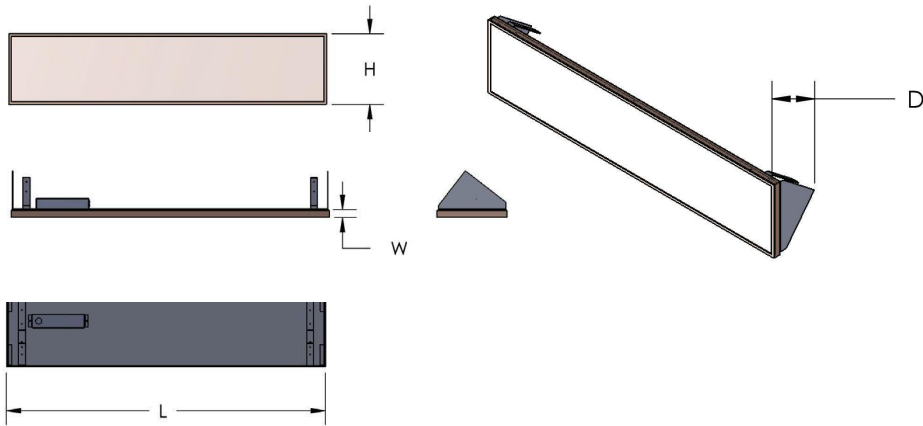
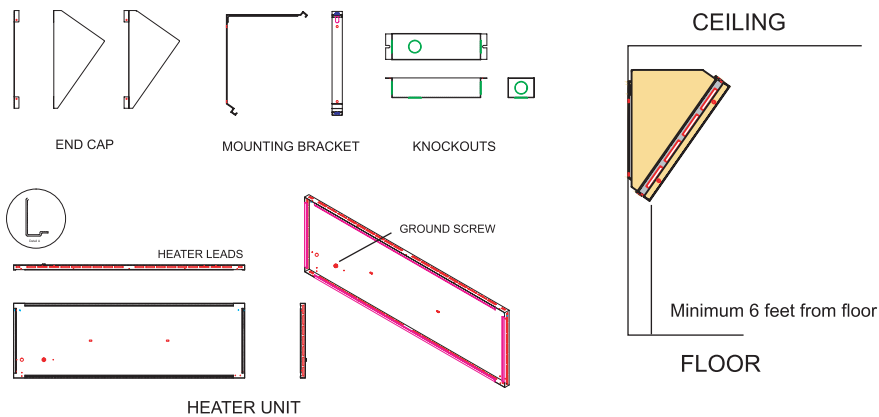


# GENERAL

## RENDERING



## PARTS



## MODELS

Cove Model	Watts	L	H	W	D
632C	585	33"	7"	1.125"	5.5"
645C	825	46"	7"	1.125"	5.5"
945C	1000	46"	10"	1.125"	7.5"
1445C	1500	46"	15"	1.125"	10"



# COVE MOUNTING

## OPERATION MANUAL



# RAD ANT

ELECTRIC HEAT

N112 W14600 Mequon Road  
 Germantown, WI 53022  
 1-800-774-4450  
[www.electricheat.com](http://www.electricheat.com)



062013B

## MAINTENANCE INSTRUCTIONS

Maintenance of your CeramiCircuit™ heater is not needed, though you may want to clean it as necessary.

1. Disconnect power at the circuit breaker panel.
2. Wait for the heating element to cool.
3. Clean the area with a dry cloth.
4. Restore power.

All other servicing should be performed by an authorized service representative or reputable electrician.

## IMPORTANT INSTRUCTIONS

When using electrical appliances, basic precautions should always be followed to reduce the risk of fire, electric shock, and injury to persons, including the following:

1. Read all instructions before installing or using this heater.
2. This heater is hot when in use. To avoid burns, do not let bare skin touch hot surfaces. Keep combustible materials, such as furniture, pillow, bedding papers, clothes, etc. and curtains at least 3 feet (0.9 m) from the front of the heater and keep them away from the sides and rear.
3. Extreme caution is necessary when any heater is used by or near children or invalids and whenever the heater is left operating and unattended.
4. Do not operate any heater after it malfunctions. Disconnect power at service panel and have heater inspected by a reputable electrician before reusing.
5. Do not use outdoors.
6. To disconnect heater, turn controls to off, and turn off power to heater circuit at main disconnect panel.
7. A heater has hot and arcing or sparking parts inside. Do not use it in areas where gasoline, paint, or flammable vapors or liquids are used or stored.
8. Use this heater only as described in this manual. Any other use not recommended by the manufacturer may cause fire, electric shock, or injury to persons.

## 9. **SAVE THESE INSTRUCTIONS**

# INSTALLATION INSTRUCTIONS

Heaters are not to be placed below an electrical convenience receptacle. To reduce the risk of fire, do not store or use gasoline or other flammable vapors in the vicinity of the heater. CAUTION – High temperature, risk of fire, keep electrical cords, drapery, furnishings, and other combustibles at least 3 feet (0.9 m) from the front of the heater and away from the side and rear.

For supply connections use wires suitable for at least 194° F (90° C). Grounding is required for each heater. Remove all construction debris (plaster, sawdust, etc.) from interior and exterior of the heater. Do not install heaters against paperboard or low density materials.

Wiring procedures and connections shall be in accordance with the national and local codes having jurisdiction. Heaters are wired directly to the electrical main. Junction boxes are not required except as indicated by local code or inspection requirements. Install on studs or finished wall. Do not install less than 6 feet (1.8 m) from the floor and closer than 6 inches (152.4 mm) from vertical or horizontal surfaces.

1. Locate and level mounting brackets on studs or finished wall, taking into account the minimum clearances from vertical and horizontal surfaces.
2. Lay heating unit face down on a solid and protective surface to prevent scratching. Remove wire channel from rear of heater. Determine which knockout will be used for electrical mains and knock the plug out.
3. Hang the bottom edge of the heater on the bottom ends of the mounting brackets using the narrow slots in the edge of the heater. Do not use the wide slots for mounting.
4. Thread the electrical mains through the hole in the raceway.
5. Attach the grounding wire to the grounding screw inside the raceway.
6. Connect mains to heater lead wires according to code. Check tightness of all electrical connections and wire nuts. Inspect all connections for short circuit.
7. Reattach raceway channel to rear of heater.
8. Attach end caps to heater
9. Swing heater up and gently snap the top flanges into the top edge of the heater.
10. Fasten heater to brackets by driving screw through the pre-drilled holes.

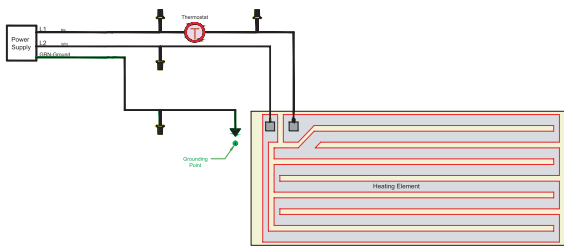


Figure 1: Standard Wiring Diagram

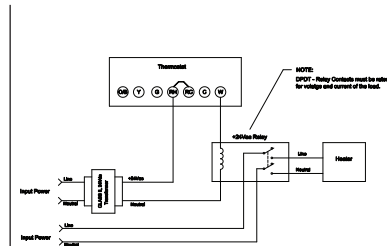


Figure 2: Typical 24Vac Thermostat Wiring Diagram

# OPERATING INSTRUCTIONS

1. Heater must be properly installed before it is used.
2. Refer to thermostat's operating instructions for proper usage.
3. Refer to the Maintenance Instructions for cleaning and maintenance.