

SURFACE MOUNTING

1. The Surface Mounting Kit comes in a separate carton which contains two side frames, two end frames, and eight assembly screws.
2. Assemble the end frames to the side frames using the screws provided (see Fig. 4) before installing on the ceiling.

CAUTION



To prevent possible injury from falling panels, use at least four screws (1/4" or 0.635 minimum diameter) to secure each side frame. Screws must thread securely into a sturdy structural member of the ceiling, such as a ceiling joist. It may be necessary to frame-in an extra support member. Do not finish from dry-wall, plater or other finish ceiling materials.

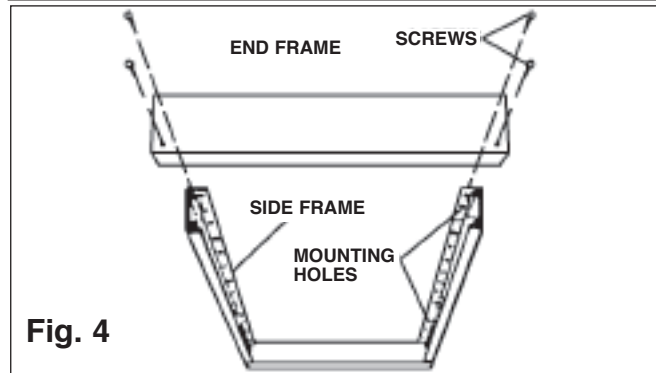


Fig. 4

3. Mounting the frame assembly to the ceiling.
4. Remove one end frame and install heater panel in side frames as shown in Fig. 5.

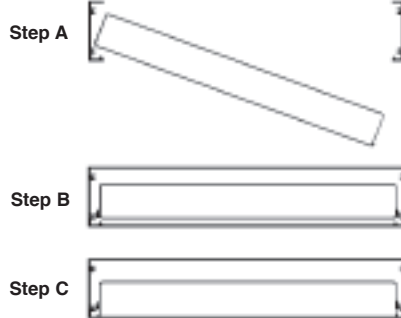
CAUTION



Be sure electricity is turned off at main switch before wiring to prevent possible injury from electric shock.

5. Connect the heater panel leads to the power supply leads (see Fig. 3 and WIRING instructions). The heater must be properly grounded as a precaution against electrical shock. Use a properly grounded junction box for connecting the heater to the power supply. The heater may be moved along side frames to facilitate wiring.
6. Re-assemble the end frame to the side frames to lock the heater panel securely in place.

Fig. 5



CAUTION



Failure to mount this kit securely may result in serious personal injury from falling heat panels.