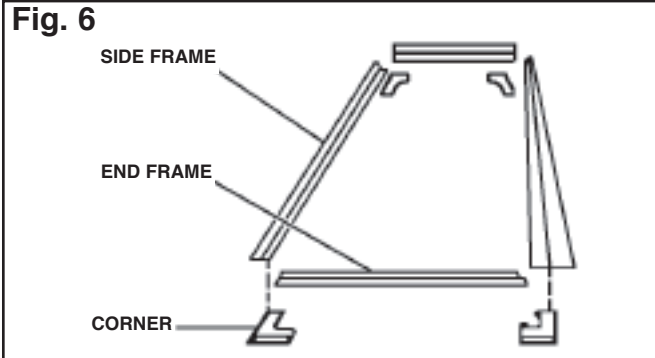


## RECESS MOUNTING

1. The Recess Mounting Kit comes in a separate carton which contain four frame sections and four corners (See Fig. 6).
2. Recessed heater panels require a cutaway in ceiling and a secure method of support (see Fig. 7). Use boards no

smaller than 2"x 4" (5cm x 10cm) for support. Use screws no smaller than number 10 in each hole provided in side and end frames.

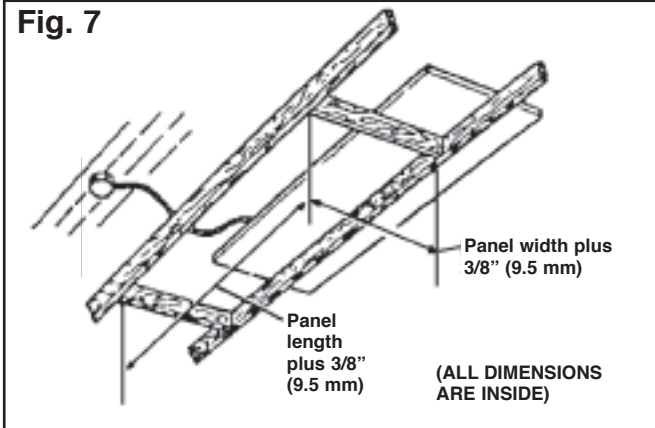


3. Insert the heater panel through the opening (see Fig. 7) and make wiring connections (see Fig. 3 and WIRING instructions). The heater must be properly grounded as a precaution against electrical shock. Use a properly grounded junction box for connecting the heater to the power supply.

### CAUTION



Be sure electricity is turned off at main switch before wiring to prevent possible injury from electric shock.



4. Loosely screw side and end frames to ceiling opening, then attach corners in place (see Fig. 8).
5. After attaching corners, tighten screws securely.
6. Carefully lower heater panel in place on frames.

**Fig. 8**

