



Wiring your SmartThermostat Pro to relays



Contractor support: Registration, account settings, equipment compatibility, wiring, etc.

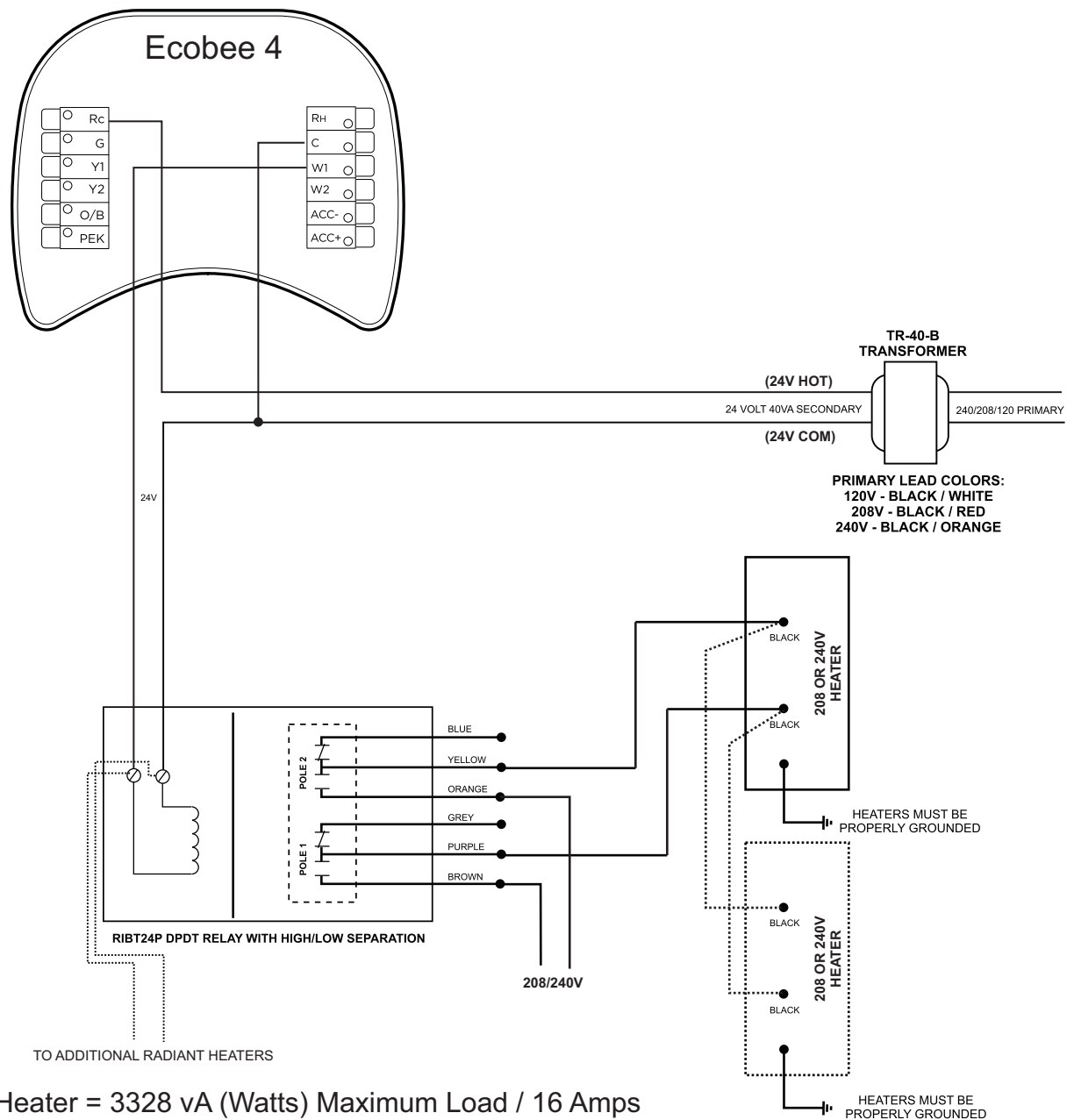
Hours: M-F 8a-10p & Sa-Su 9a-9p

Phone: 866.518.6740 (Contractor assistance only)

Website: www.heatinggreen.com

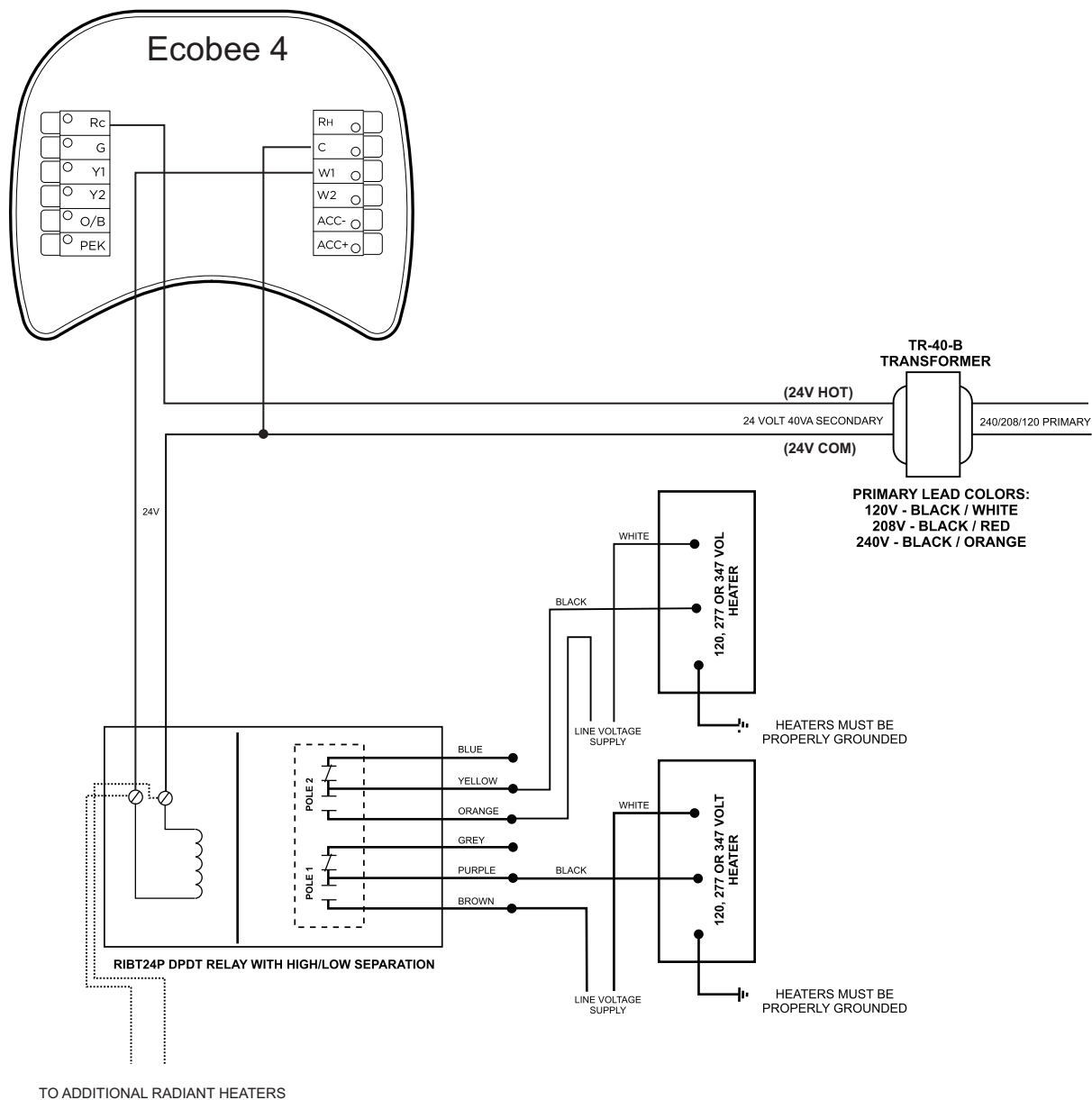
208 OR 240 VOLT HEATER WIRING OPTIONS USING 20 AMP RELAY

1. The maximum number of heaters per circuit is limited to circuit wiring and the contact rating of the relay. Always refer to electric radiant ceiling heat panel manufacturer's specifications and wiring diagrams. Wiring diagrams are also available on line at <http://www.heatinggreen.com/thermostat-instructions-wiring-diagrams>
2. The RIBT24P relay contacts are rated at 20 Amps under 300 Volts and 15 Amps over 300 Volts.
3. Always use a properly grounded junction box when splicing.
4. Install only in a location where the power supply connections will be accessible.
5. Install junction box as far above panel as possible and above building insulation where present.
6. Use field wiring suitable for 194° F (90° C) if junction box is allowed to lie on heater or is enclosed between heater and ceiling above.
7. When installed in a drop ceiling, the wiring terminals should be accessible through removable ceiling sections with adequate clearance to permit access to the top of the heater.



NOTE: 208 Volt Heater = 3328 vA (Watts) Maximum Load / 16 Amps
 240 Volt Heater = 3840 vA (Watts) Maximum Load / 16 Amps

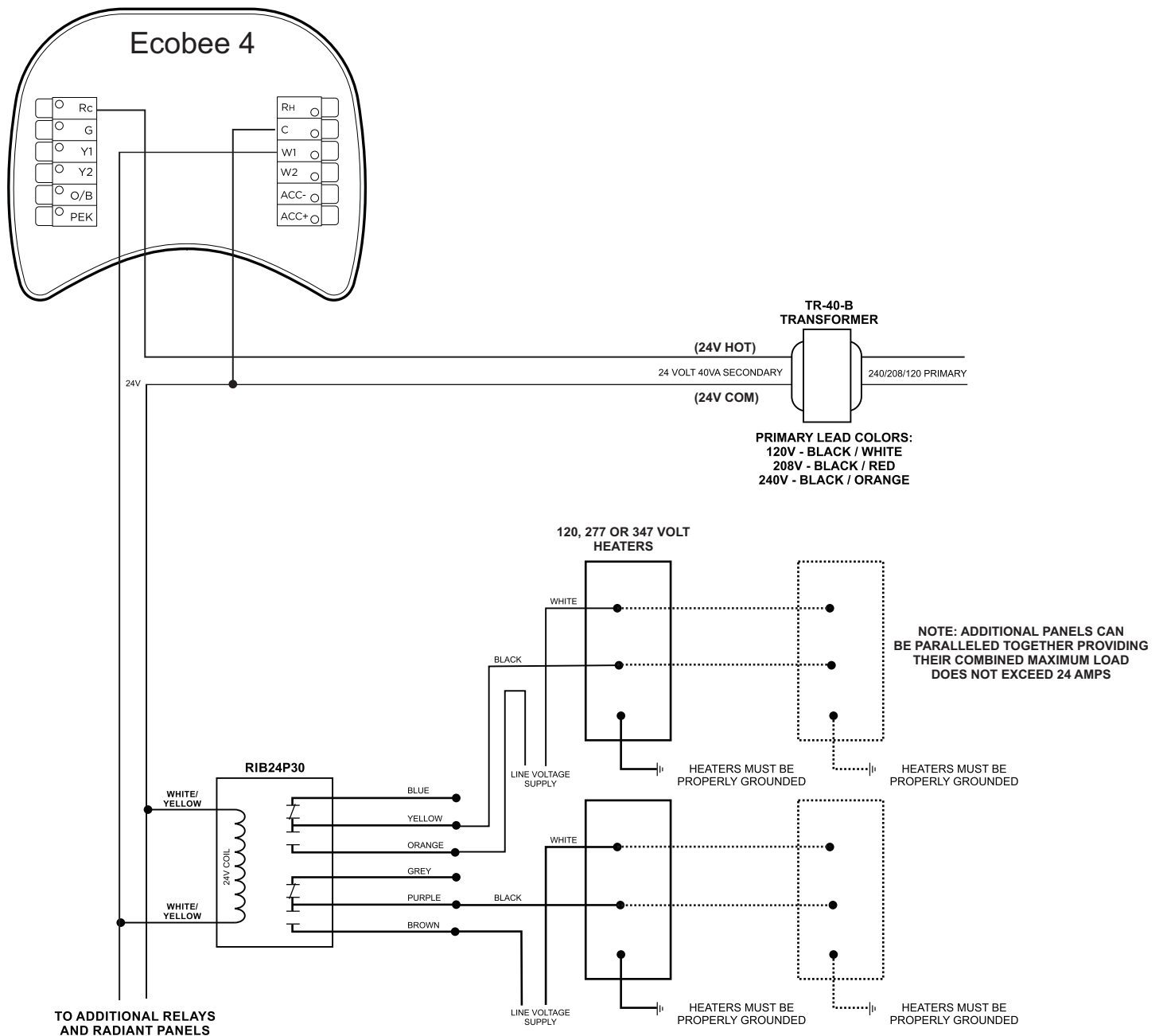
120, 277 OR 347 VOLT HEATER WIRING OPTIONS USING 20 AMP RELAY



NOTE: 120 Volt Heater = 1920 vA (Watts) Maximum Load / 16 Amps
 277 Volt Heater = 4432 vA (Watts) Maximum Load / 16 Amps
 347 Volt Heater = 5552 vA (Watts) Maximum Load / 16 Amps

120, 277,347 VOLT HEATER WIRING OPTIONS USING 30 AMP RELAY

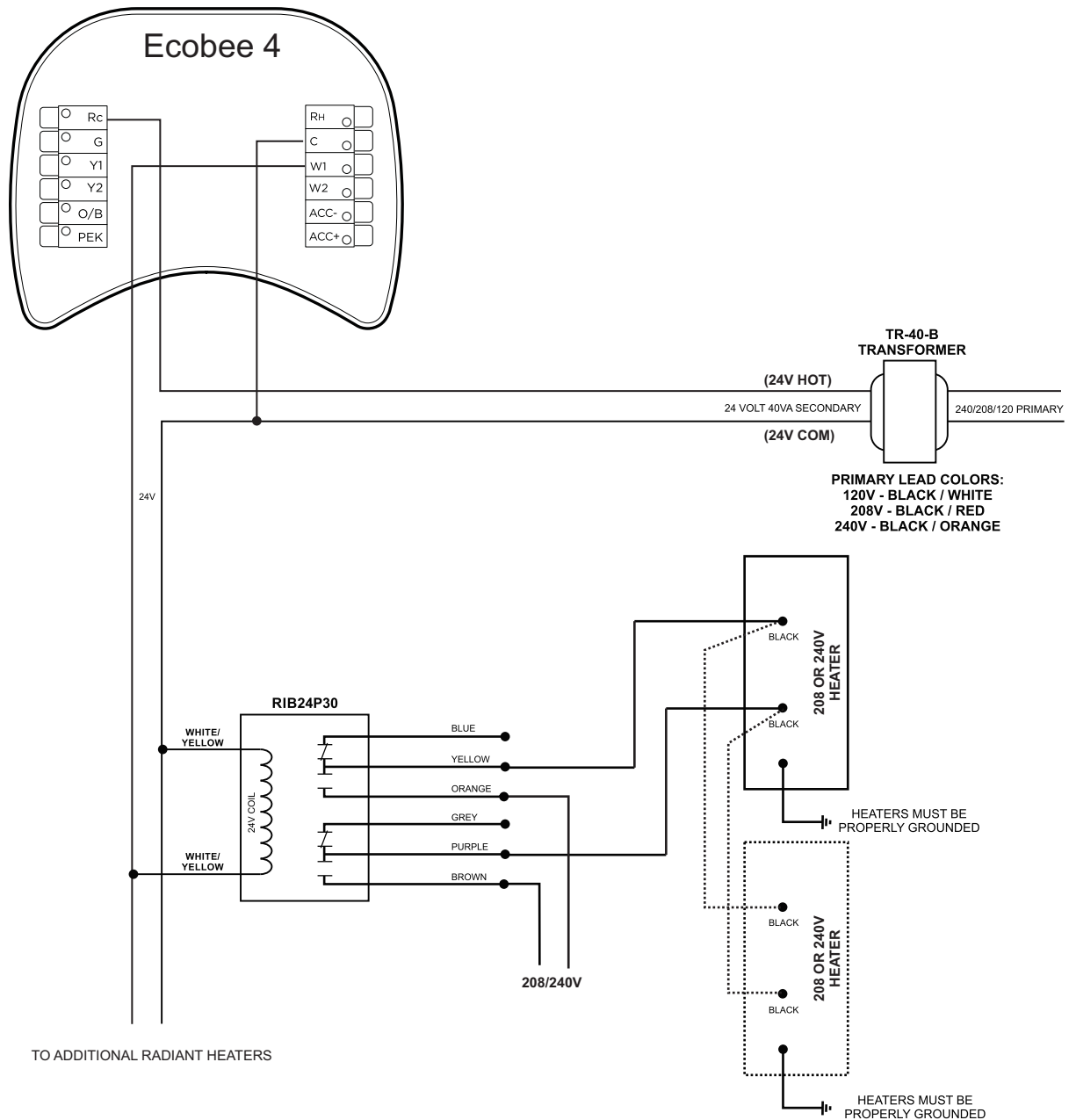
1. The maximum number of heaters per circuit is limited to circuit wiring and the contact rating of the relay. Always refer to electric radiant ceiling heat panel manufacturer's specifications and wiring diagrams. Wiring diagrams are also available on line at <http://www.heatinggreen.com/thermostat-instructions-wiring-diagrams>
2. The RIBT24P30 relay contacts are rated at 30 Amps @ 300 Volts.
3. Always use a properly grounded junction box when splicing.
4. Install only in a location where the power supply connections will be accessible.
5. Install junction box as far above panel as possible and above building insulation where present.
6. Use field wiring suitable for 194° F (90° C) if junction box is allowed to lie on heater or is enclosed between heater and ceiling above.
7. When installed in a drop ceiling, the wiring terminals should be accessible through removable ceiling sections with adequate clearance to permit access to the top of the heater.



NOTE: 120 Volt Heater = 2880 vA (Watts) Maximum Load / 24 Amps
 277 Volt Heater = 6648 vA (Watts) Maximum Load / 24 Amps
 347 Volt Heater = 8328 vA (Watts) Maximum Load / 24 Amps

208 OR 240 VOLT HEATER WIRING OPTIONS USING 30 AMP RELAY

1. The maximum number of heaters per circuit is limited to circuit wiring and the contact rating of the relay. Always refer to electric radiant ceiling heat panel manufacturer's specifications and wiring diagrams. Wiring diagrams are also available on line at <http://www.heatinggreen.com/thermostat-instructions-wiring-diagrams>
2. The RIBT24P30 relay contacts are rated at 30 Amps @ 300 Volts.
3. Always use a properly grounded junction box when splicing.
4. Install only in a location where the power supply connections will be accessible.
5. Install junction box as far above panel as possible and above building insulation where present.
6. Use field wiring suitable for 194° F (90° C) if junction box is allowed to lie on heater or is enclosed between heater and ceiling above.
7. When installed in a drop ceiling, the wiring terminals should be accessible through removable ceiling sections with adequate clearance to permit access to the top of the heater.



NOTE: 208 Volt Heater = 4992 vA (Watts) Maximum Load / 30 Amps
 240 Volt Heater = 5760 vA (Watts) Maximum Load / 30 Amps